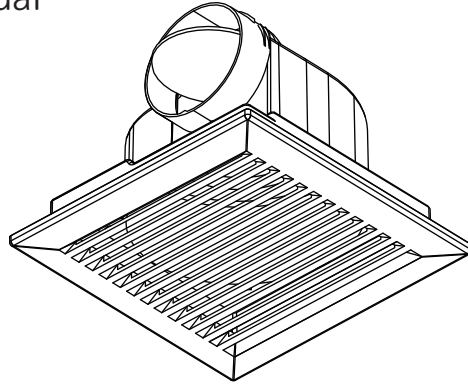


J86-A

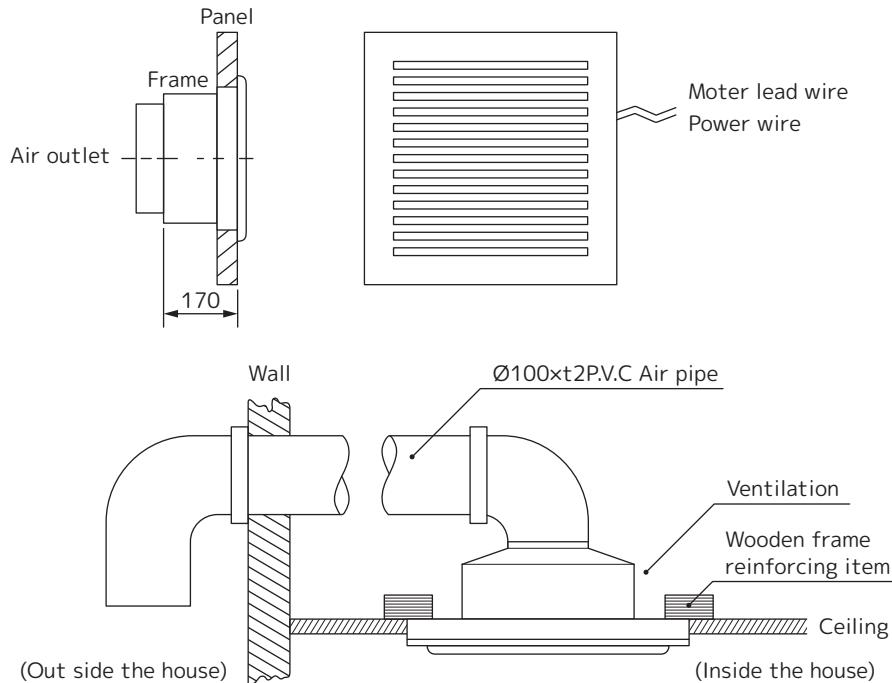
Ventilation Fan

Installation & Operation Manual



1. Way of Installation:

While installing the machine, in advance reserve the hole of 210mm *210mm on the ceiling, then add the wooden frame all around; After use the setscrew to fix, use the self-tapping screw (4 pieces) to fix firmly.

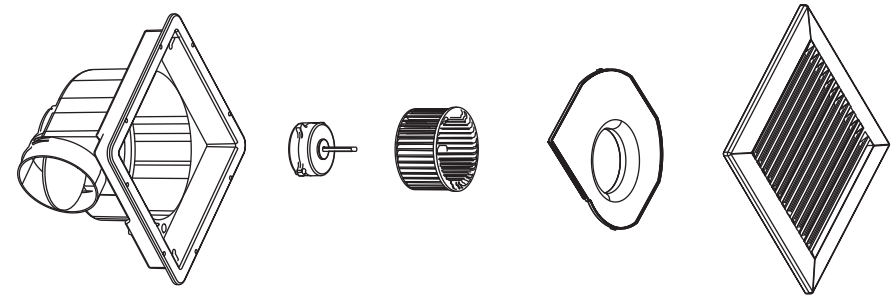


2. Way of Use:

- Ventilation motor 's lead wire with the switch's lead wire , After link , power will open.
- After shower, must to close the power several minutes later, In order to keep bathroom and inside machine dry.

3. Maintenance:

The machine is used some time later, please clean regularly.
Before cleaning please follow the step of picture:



4. Cautions:

- Please mount the air exchange fan before the ceiling is mounted up.
- When mounting the air exchange fan, the cover shall be away from the ground no less than 2.5 meters.
- The site that the air exchange fan is mounted, the support must be able to bear the weight of this product.
- Bad mounting will cause abnormal noise and consonance, so please be careful.
- Please use strong and consonance free material for the ceiling (such as: plaster board, cane board).
- To avoid the steam produced from the exhausting pipe flowing into bathroom, please slide for 1 or 2 degree outwardly.
- The ventilation resistance at the ventilation covering board is the reason that caused the air reduction and noise.